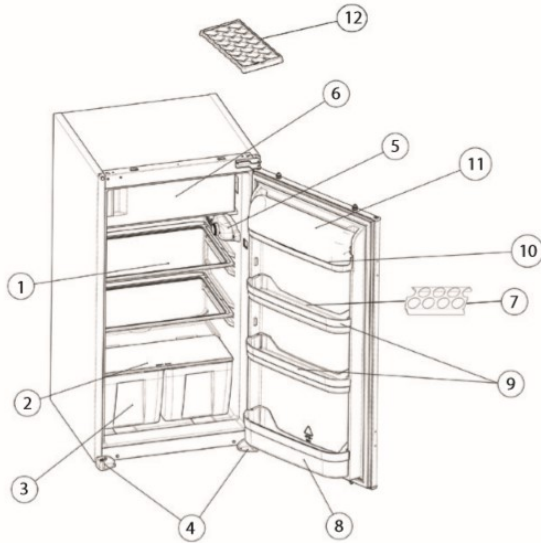


Appliance description



1. Carrier platform
2. Glass plate vegetable container
3. Vegetable drawer
4. Levelers
5. Thermostat and interior lighting
6. Freezer rack
7. Egg shelf
8. Bottle rack
9. Door racks
10. Butter compartment
11. Butter compartment lid
12. Ice tray

Setting the thermostat

The thermostat automatically regulates the temperature inside the refrigerator and freezer compartment.

- The normal temperature setting is position 3. At position 0, the refrigerator is off.
- Set a higher temperature by turning the tuning knob to setting 1 or 2.
- Set a lower temperature by turning the tuning knob to setting 4 or 5.

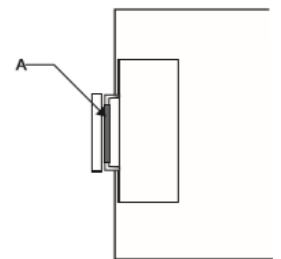
CAUTION: The temperature inside the fridge and freezer is affected by the ambient temperature, the temperature of not yet chilled foods and how often the door is opened. The setting of the thermostat must be adjusted according to these factors.

“Door open” indication

The “door open” indicator (A) at the end of the freezer door indicates if the door is shut properly.

- Door not shut properly; indicator is visible.
- Door shut properly; indicator is not visible.

Always make sure that the freezer door is shut properly. This prevents food in the freezer from defrosting, causing excessive ice formation and unnecessary energy consumption.



Faults

When in doubt on the proper operation of the appliance, this does not automatically mean there is a defect. Always check the following points in table below.

NOTE: It is normal for the cooling circuit to make gurgling or expansion noises!

Symptom	Possible cause	Solution
The refrigerator emits a slight odour when used for the first time.	New appliance.	This is normal and disappears when the appliance starts cooling.
The appliance does nothing; the lamp is not lit.	Plug not in socket.	Insert the plug in the socket.
	Thermostat at '0' setting.	Adjust the thermostat to the correct setting.
Temperature inside refrigerator too high or too low.	Thermostat setting incorrect.	Adjust the thermostat properly.
Water runs from the refrigerator.	Defrost water drain clogged.	Clean defrost water drain (see "Defrost").
Appliance makes a noise.	Incorrect positioning of food in the refrigerator (or freezer).	Place foods in the proper manner in the refrigerator or freezer.
	There is an object against the appliance.	Remove the object.
Light not lit.	Lamp faulty.	Replace the lamp (see "Lighting").