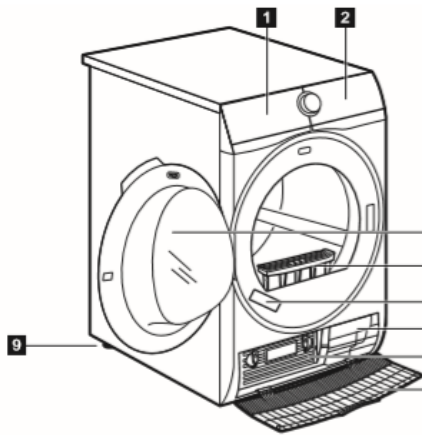
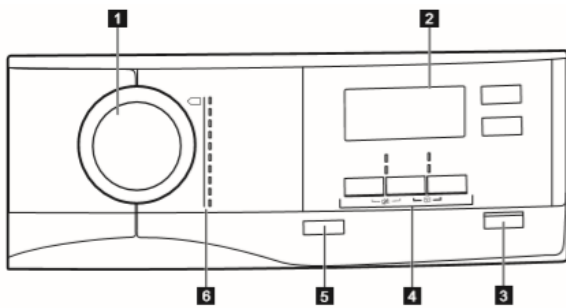


### Device description



1. Water reservoir
2. Control panel
3. Door of the device
4. Filter
5. Model plate
6. Ventilation slots
7. Condensor cover
8. Condensor cover
9. Adjustable feet

### Control panel



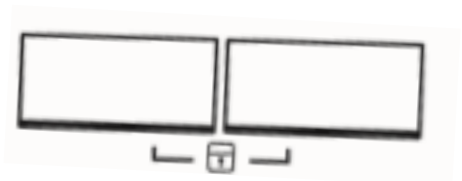
1. Programm selection knob
2. Display
3. Start/Pause button
4. Options
5. On/Off button
6. Programms

### Using the dryer

1. Load the dryer loosely—DO NOT overload.
2. Close the door.
3. Select the appropriate cycle and options for the load.
4. Press the Start/Pause button.
5. The dryer will start with the selected programm.

### Child lock

1. Put the dryer on.
2. Select **1** of the available programms.
3. Push both buttons at the same time and hold till the "lock" symbol is visible on the display.
4. Push both buttons at the same time again to deactivate the child lock.



**Please be sure that the child lock is deactivated before you check out.**